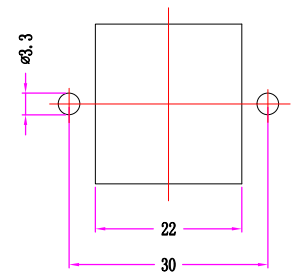
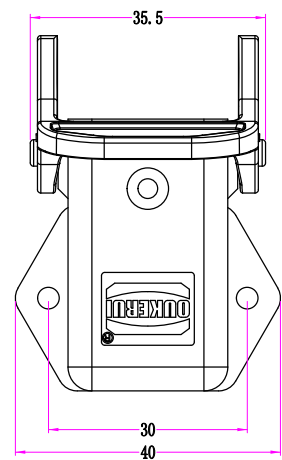
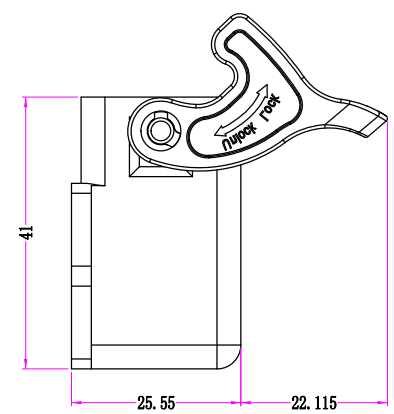
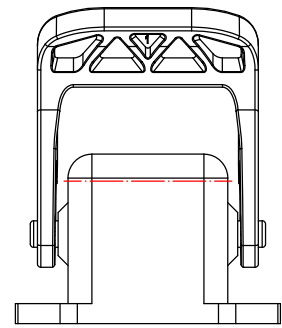


REVISION		DATA		
SYM	BCN	DESCRIPTION	DATE	APPROVED

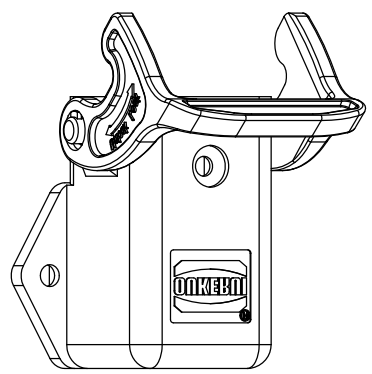


### 面板开孔图

Panel cut

技术参数:  
 材料: PC  
 颜色: RAL7032 灰白色  
 温度范围: -40℃~+125℃  
 防护等级: IP65 (联锁状态)  
 联锁元件  
   锁扣方式: 单扣  
   材料: PC  
 密封元件: NBR  
 出线方向: 底部出线

Specifications:  
 Material: PC  
 Color: (RAL 7032) Light Grey  
 Limiting temperatures: -40℃~+125℃  
 Degree of protection: IP65  
 Locking element:  
   Locking type: single locking latch  
   material: PC  
 Hoods/Housings sealing: NBR  
 Cable entry: bottom entry



Tolerance		SIGNATURE	DATE	Units	mm	NINGBO OUKERUI CONNECTOR CO., LTD.		
0~≤20 ±0.15	DRAW			Size	A4	PART NAME: HZW-H3A.P-ST-SK-1PL		
20~≤50 ±0.25	DESIGN			Scale		Drawing NO.		REV
50~≤80 ±0.35	CHECK			Sheet		Material		A
80~≤120 ±0.50	APPROVE			Proj.				



宁波欧科瑞连接器有限公司  
 NINGBO OUKERUI CONNECTOR CO., LTD.