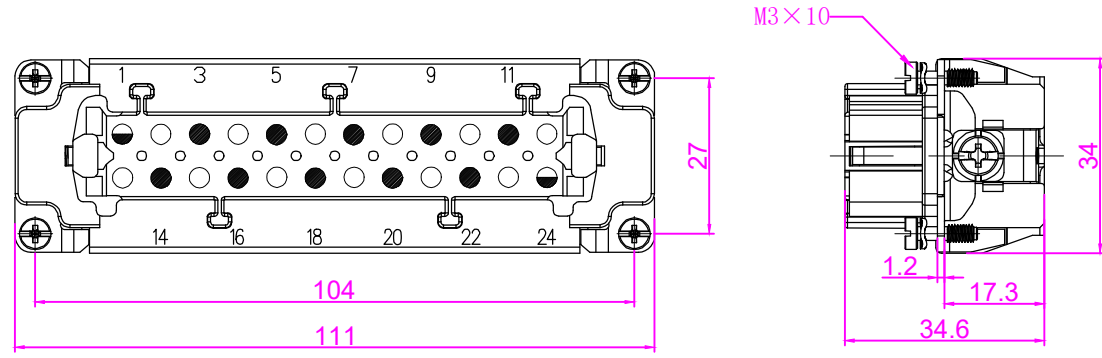


REVISION DATA				
SYM	ECN	DESCRIPTION	DATE	APPROVED

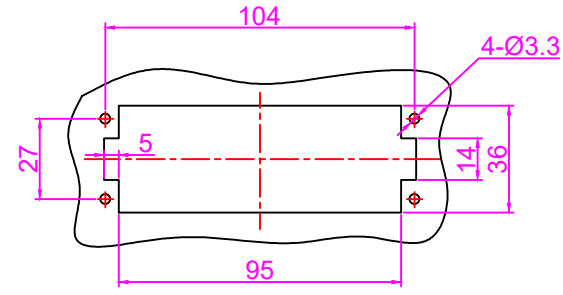


技术参数:
 插芯:
 插针数: 10+2+PE
 额定电流: 16A
 工作电压: 830V
 额定脉冲电压: 8KV
 污染等级: 3
 依据UL/CSA的额定电压: 600V
 绝缘阻抗: $\geq 10^{10} \Omega$
 材料: 聚碳酸酯
 温度范围: $-40^{\circ}\text{C} \sim +125^{\circ}\text{C}$
 依据UL94的阻燃等级: V0
 可插拔次数: ≥ 500

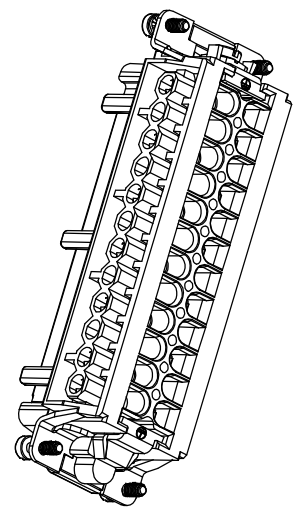
Specifications:
 Inserts:
 Number of contacts: 10+2+PE
 Rated current: 16A
 Rated voltage: 800V
 Rated impulse voltage: 8KV
 Pollution degree: 3
 Rated voltage acc. to UL/CSA: 600V
 Insulation resistance: $\geq 10^{10} \Omega$
 Material: Polycarbonate
 Limiting temperatures: $-40^{\circ}\text{C} \sim +125^{\circ}\text{C}$
 Flammability acc. to (UL94): V0
 Mechanical working life -mating cycles: ≥ 500

插针:
 接线方式: 螺钉连接
 材料: 铜合金
 表面处理: 镀银
 接触电阻: $\leq 1\text{m}\Omega$
 线径范围: $1.0 \sim 2.5\text{mm}^2$ (AWG18-14)
 拧紧力矩: $0.5\text{N} \cdot \text{m}$
 剥线长度: 7-9mm

Contacts:
 Terminal: screw terminal
 Material: Brass
 Surfac: hard-silver plated
 Contact resistance: $\leq 1\text{m}\Omega$
 Crimp terminal
 Wire gauge-- mm^2 : $1.0 \sim 2.5\text{mm}^2$
 Wire gauge--AWG: 18-14
 Tightening/Test torque: $0.5\text{N} \cdot \text{m}$
 Stripping length: 7-9mm



面板开孔图
 Panel cut



Tolerance	SIGNATURE	DATE	Units	mm
0~ $\leq 20 \pm 0.15$	DRAW		Size	A4
20~ $\leq 50 \pm 0.25$	DESIGN		Scale	
50~ $\leq 80 \pm 0.35$	CHECK		Sheet	
80~ $\leq 120 \pm 0.50$	APPROVE		Proj.	


宁波欧科瑞连接器有限公司
 NINGBO OUKERUI CONNECTOR CO.,LTD.

PART NAME: HZW-HVE-010-F

Drawing NO.	REV
Material	A