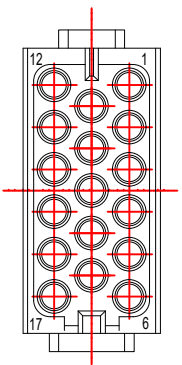
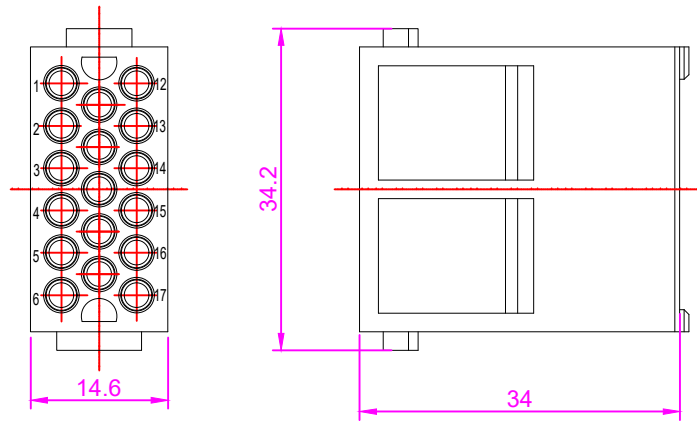


REVISION DATA				
SYM	ECN	DESCRIPTION	DATE	APPROVED

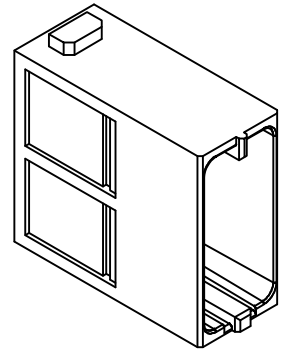



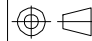
技术参数:
 插芯:
 插针数: 17
 额定电流: 10A
 工作电压: 160V
 额定脉冲电压: 2.5KV
 污染等级: 3
 材料: Polycarbonate

插针:
 接线方式: 冷压连接
 材料: 铜合金
 表面处理: 镀银/镀金
 接触电阻: $\leq 3m\Omega$
 线径范围: 0.14~2.5mm² (AWG26-14)

Specifications:
 Inserts:
 Number of contacts: 17
 Rated current: 10A
 Rated voltage: 160V
 Rated impulse voltage: 2.5KV
 Pollution degree: 3
 Material: Polycarbonate

Contacts:
 Terminal: Crimp terminal
 Material: Brass
 Surfac: hard-silver plated/Glod plated
 Contact resistance: $\leq 3m\Omega$
 Crimp terminal
 Wire gauge--mm²: 0.14~2.5mm²
 Wire gauge--AWG: 26-14



Tolerance		SIGNATURE	DATE	Units	mm	 宁波欧科瑞连接器有限公司 NINGBO OUKERUI CONNECTOR CO.,LTD.	
0~ ≤ 20	± 0.15	DRAW		Size	A4		
20~ ≤ 50	± 0.25	DESIGN		Scale		PART NAME: HZW-HMDD-017-MC	
50~ ≤ 80	± 0.35	CHECK		Sheet		Drawing NO.	REV
80~ ≤ 120	± 0.50	APPROVE		Proj.		Material	A